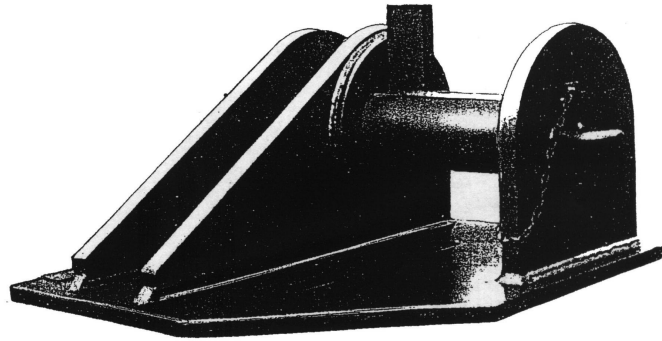
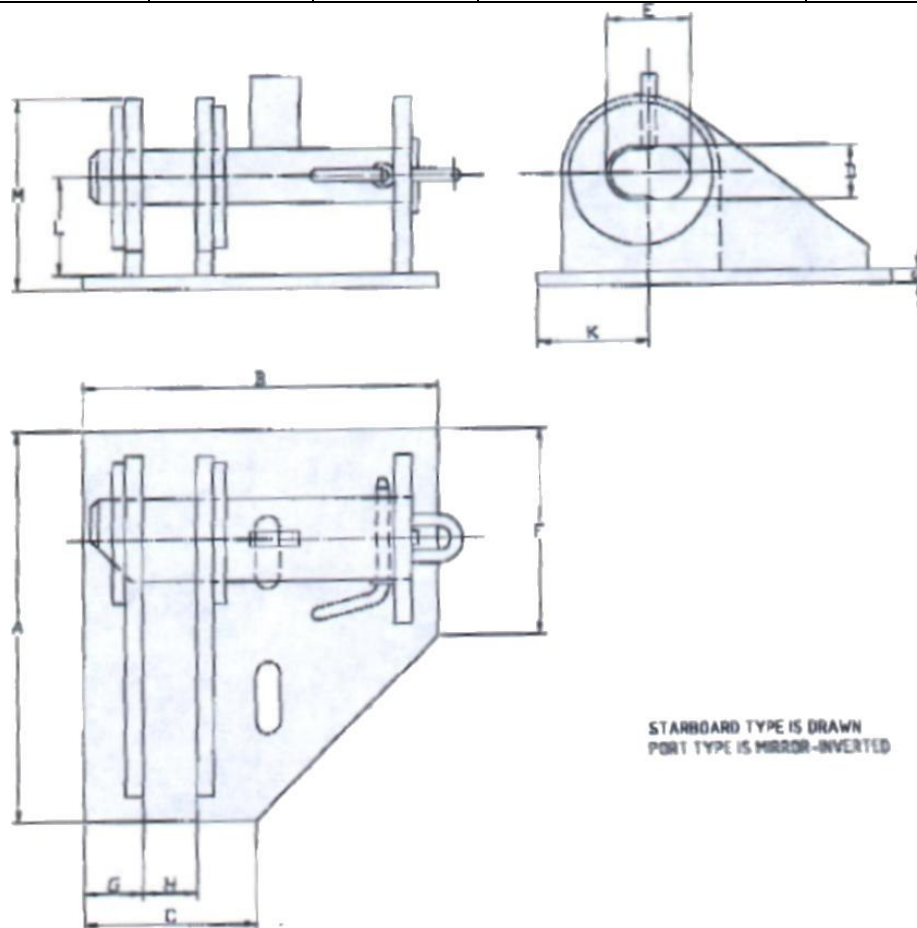


1.3. SMIT BRACKET -- OCIMF-TYPE



Code	Cable size		Weight kg	Materials used
	inch	mm		
07001	2	54	100	St 52.3
07002	2.5	64		St 52.3
07003	3	76	283	St 52.3



Code	A	B	C	D	E	F	G	H	J	K	L	M	O
07001	500	450			120			75		107	140		20
07002	625	600		80	125		85	100		138	174	305	26
07003	800	720		105	165			100		175	228		35

dimensions in mm; alternations may occur, without rigging