




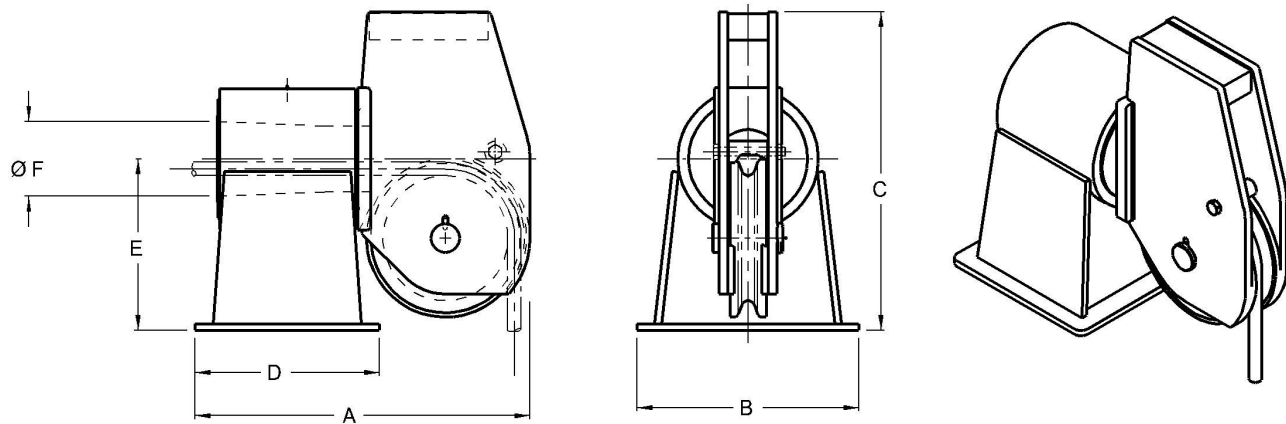
2.2. SHEAVE FAIRLEADS

(fairleaders)

2.2.1.	BALANCED HEAD FAIRLEADS	
2.2.2.	DECK MOUNTED DOUBLE SHEAVE	
2.2.3.	SHEAVE FAIRLEADS	TYPE CFF
2.2.4.	BALANCED HEAD FAIRLEADS	

2.2.1. BALANCED HEAD FAIRLEADS

MARINER CLASS DECK MOUNTED



Model Number	Units of Measure	Maximum Wire Size	Wire Breaking Strength	Sheave Tread Diameter	A	B	C	D	E	F	Weight
MD-610	Inches	3/4	58,800 lbs.	8-1/4	23-11/16	16	20-1/8	14-3/4	11	4-1/2	270 lbs.
	MM	19	262 kN	210	602	406	511	375	279	114	122 Kg
MD-612	Inches	1	103,400 lbs.	9-3/4	28-3/16	19-1/4	24-5/8	17-3/4	13-1/2	5-5/8	495 lbs.
	MM	25	460 kN	248	716	489	625	451	343	143	225 Kg
MD-614	Inches	1-1/4	159,800 lbs.	11-1/4	30-9/16	20	28-1/8	18-1/2	15-1/2	6-5/16	670 lbs.
	MM	32	711 kN	286	776	508	714	470	394	160	304 Kg
MD-618	Inches	1-1/2	228,000 lbs.	14-1/4	38-1/8	25-1/4	36-1/4	21	19-1/2	8-1/2	1450 lbs.
	MM	38	1014 kN	362	968	641	921	533	495	216	658 Kg
MC-622	Inches	1-3/4	266,000 lbs.	18-1/2	45-1/8	28-1/2	45-1/2	22	23-1/2	9-1/2	2100 lbs.
	MM	44	1183kN	470	1146	724	1156	559	597	241	953 Kg
MC-624	Inches	2	344,000 lbs.	20	50-1/8	30	44-13/16	27	25-1/2	12	2650 lbs.
	MM	51	1530 kN	508	1273	762	1138	686	648	305	1202 Kg
MD-630	Inches	2-1/4	494,000 lbs.	24-7/8	56-7/8	40-1/4	60-3/4	27-1/2	31-1/2	13	4800 lbs.
	MM	57	2198 kN	632	1445	1022	1543	699	800	330	2177 Kg
MC-636	Inches	2-1/2	524,000 lbs.	30	63	40	70-1/4	27-1/2	36-1/4	14-1/2	6000 lbs.
	MM	64	2331 kN	762	1600	1016	1784	699	921	368	2722 Kg
MD-652	Inches	3	818,000 lbs.	44	103-1/2	52-3/8	104	44	34-1/2	26-1/2	16,500 lbs.
	MM	76	3639 kN	1118	2629	1330	2642	1118	876	673	7484 Kg
MD-665	Inches	3	818,000 lbs.	55-1/2	115-5/8	52-3/8	117-1/2	44	34-1/2	26-1/2	18,800 lbs.
	MM	76	3639 kN	1410	2937	1330	2985	1118	876	673	8528 Kg

We will custom engineer any of our products to suit YOUR requirements!

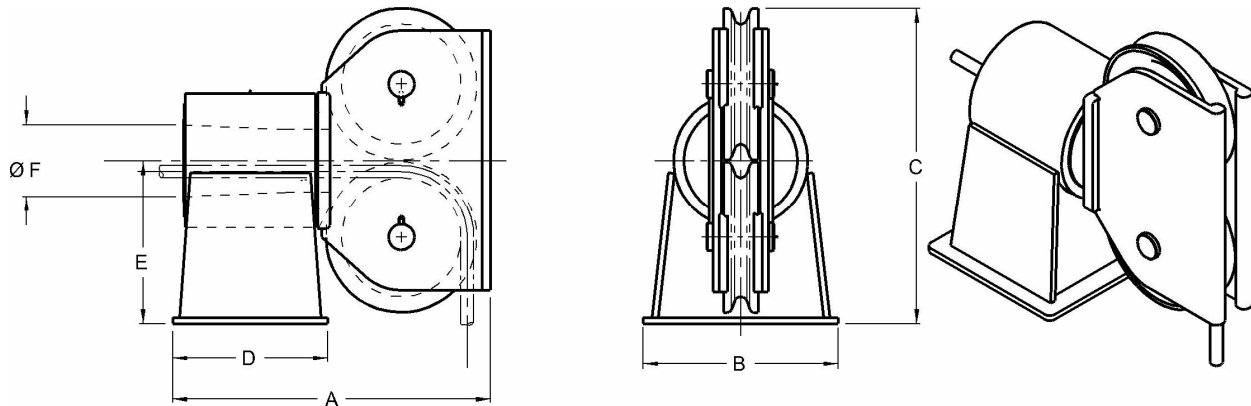
Standard Features

- ✓ Designed for breaking strength of wire with 90+ wrap on sheave and +/- 90+ rotation of swivelhead
- ✓ Sealed grease lubricated Timken tapered roller bearings
- ✓ Removable guide roller
- ✓ Hardened rope grooves for longer life
- ✓ Weld down base
- ✓ Smith Berger Quality

Optional Features

- ✓ Tail Sheaves / Tail Rollers
- ✓ Bolt down base
- ✓ Load monitoring system
- ✓ Special sheaves for high performance synthetic ropes
- ✓ Paint to your specification
- ✓ Third party certification

2.2.2. DECK MOUNTED DOUBLE SHEAVE MARINER CLASS FAIRLEADS



Model Number	Units of Measure	Maximum Wire Size	Wire Breaking Strength	Sheave Tread Diameter	A	B	C	D	E	F	Weight
MD-2610	Inches	3/4	58,800 lbs.	8-1/4	24-11/16	16	22	14-3/4	11	4-1/2	280 lbs.
	MM	19	262 kN	210	627	406	559	375	279	114	127 Kg
MD-2612	Inches	1	103,400 lbs.	9-3/4	29-3/16	19-1/4	25	17-3/4	13-1/2	5-5/8	520 lbs.
	MM	25	460 kN	248	741	489	635	451	343	143	236 Kg
MD-2614	Inches	1-1/4	159,800 lbs.	11-1/4	31-9/16	20	29	18-1/2	15-1/2	6-5/16	700 lbs.
	MM	32	711 kN	286	802	508	737	470	394	160	318 Kg
MD-2618	Inches	1-1/2	228,000 lbs.	14-1/4	39-1/8	25-1/4	37-5/8	21	19-1/2	8-1/2	1500 lbs.
	MM	38	1014 kN	362	994	641	956	533	495	216	680 Kg
MC-2622	Inches	1-3/4	266,000 lbs.	18-1/2	46-1/8	28-1/2	48	22	23-1/2	9-1/2	2200 lbs.
	MM	44	1183 kN	470	1172	724	1219	559	597	241	998 Kg
MC-2624	Inches	2	344,000 lbs.	20	51-1/8	30	49-5/8	27	25-1/2	12	2800 lbs.
	MM	51	1530 kN	508	1299	762	1260	686	648	305	1270 Kg
MD-2630	Inches	2-1/4	494,000 lbs.	24-7/8	57-7/8	40-1/4	61-5/8	27-1/2	31-1/2	13	5020 lbs.
	MM	57	2198 kN	632	1470	1022	1565	699	800	330	2277 Kg
MC-2636	Inches	2-1/2	524,000 lbs.	30	64	40	72-5/8	27-1/2	36-1/4	14-1/2	6270 lbs.
	MM	64	2331 kN	762	1626	1016	1845	699	921	368	2844 Kg
MD-2652	Inches	3	818,000 lbs.	44	104	52-3/8	105-5/8	44	34-1/2	26-1/2	17,200 lbs.
	MM	76	3639 kN	1118	2642	1330	2683	1118	876	673	7801 Kg
MD-2665	Inches	3	818,000 lbs.	55-1/2	117	52-3/8	130-5/8	44	34-1/2	26-1/2	19,650 lbs.
	MM	76	3639 kN	1410	2972	1330	3318	1118	876	673	8913 Kg

We will custom engineer any of our products to suit YOUR requirements!

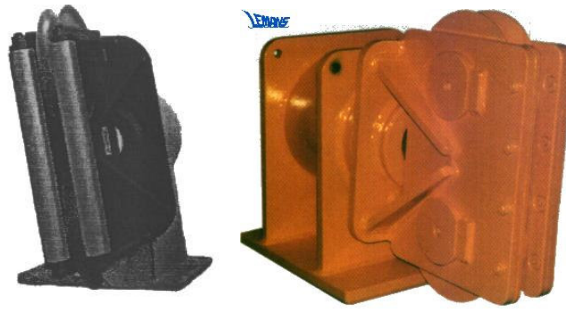
Standard Features

- ✓ Designed for breaking strength of wire with 90+ wrap on sheave and +/- 90+ rotation of swivelhead
- ✓ Sealed grease lubricated Timken tapered roller bearings
- ✓ Hardened rope grooves for longer life
- ✓ Weld down base

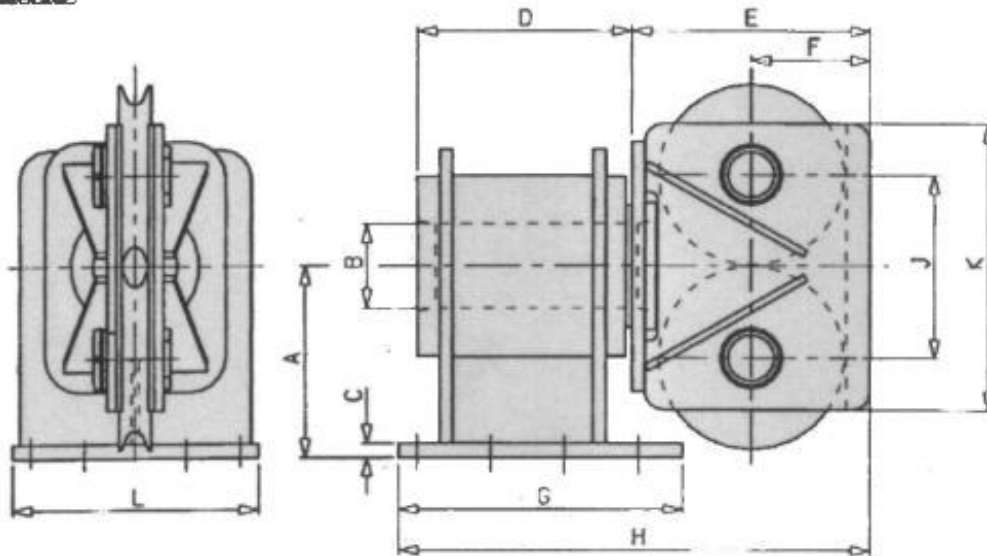
Optional Features

- ✓ Tail Sheaves / Tail Rollers
- ✓ Bolt down base
- ✓ Load monitoring system
- ✓ Special sheaves for high performance synthetic ropes
- ✓ Paint to your specification
- ✓ Third party certification

2.2.3. SHEAVE FAIRLEADS; TYPE CFF



Model with 1 sheave	Model with 2 sheaves	Break-load	Wire diameter	OD sheave	BOG sheave	weight
CFF F126D	CFF F226D	43,5 ton	Ø 26 mm	Ø254 mm	Ø190 mm	300 kg
CFF F132D	CFF F232D	65,9 ton	Ø 32 mm	Ø305 mm	Ø230 mm	440 kg
CFF F138D	CFF F238D	92,9 ton	Ø 38 mm	Ø406 mm	Ø315 mm	750 kg
CFF F145D	CFF F245D	131 ton	Ø 45 mm	Ø508 mm	Ø400 mm	1500 kg
CFF F152D	CFF F252D	167 ton	Ø 52 mm	Ø610 mm	Ø490 mm	1950 kg



model	A	B	C	D	E	F	G	H	J	K	L
CFF F226D	273	100	25	312	335	172	385	672	258	440	360
CFF F232D	324	132	30	370	405	203	480	805	308	510	440
CFF F238D	432	173	35	443	530	273	600	1025	410	650	520
CFF F245D	533	235	40	582	650	324	770	1282	512	800	680
CFF F252D	640	276	50	615	755	375	750	1420	612	950	800

Heavy construction in high quality welded steel with full quality assurance and liquid penetrate examination; built to withstand a 120% breaking strength of indicated rope 90° without deformation

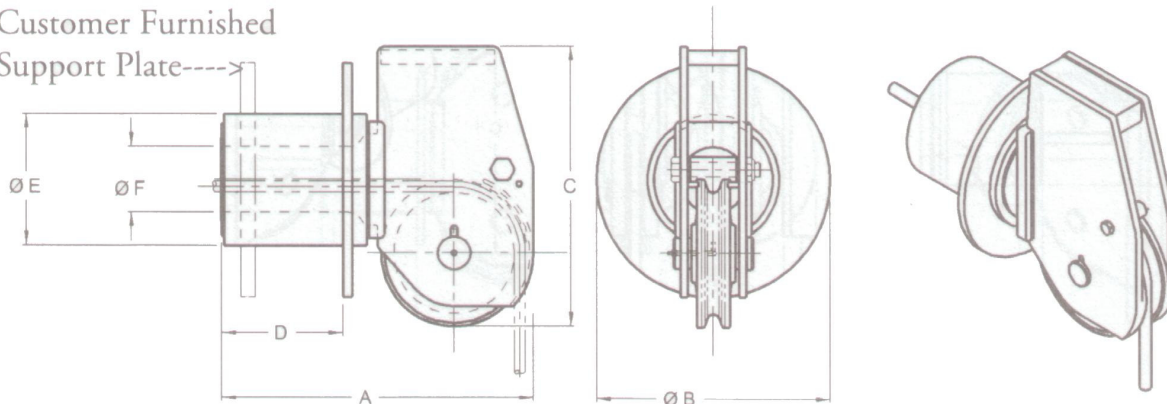
- Barrel and sheaves equipped with taper or spherical roller lubricated bearings
- Removable wearing guide-plates in hard steel or rollers to prevent chaffing, even under rapid, severe changes of wire rope lead
- European produced

2.2.4. BALANCED HEAD FAIRLEADS

MARINER CLASS FLANGE MOUNTED FAIRLEADS



Customer Furnished
Support Plate----->



Model Number	Units of Measure	Maximum Wire Size	Wire Breaking Strength	Sheave Tread Diameter	A	B	C	D	E	F	Weight
MD-710	Inches	3/4	58,800 lbs.	8-1/4	21-7/16	16	19-1/8	8-3/8	9	4-1/2	255 lbs.
	MM	19	262 kN	210	545	406	486	213	229	114	116 Kg
MD-712	Inches	1	103,400 lbs.	9-3/4	25-7/16	19-1/4	23-1/8	10-3/8	11	5-5/8	363 lbs.
	MM	25	460 kN	248	646	489	587	264	279	143	165 Kg
MD-714	Inches	1-1/4	159,800 lbs.	11-1/4	27-11/16	20	26-5/8	10-5/8	11-3/4	6-5/16	560 lbs.
	MM	32	711 kN	286	703	508	676	270	298	160	254 Kg
MD-718	Inches	1-1/2	228,000 lbs.	14-1/4	35-1/8	25-1/4	34-1/4	13-3/4	16	8-1/2	1160 lbs.
	MM	38	1014 kN	362	892	641	870	349	406	216	526 Kg
MC-722	Inches	1-3/4	266,000 lbs.	18-1/2	42-1/8	28-1/2	43-1/2	16	18	9-1/2	1722 lbs.
	MM	44	1183kN	470	1070	724	1105	406	457	241	781 Kg
MC-724	Inches	2	344,000 lbs.	20	47	30	42-3/4	17-3/4	20	12	2067 lbs.
	MM	51	1530 kN	508	1194	762	1086	451	508	305	938 Kg
MD-730	Inches	2-1/4	494,000 lbs.	24-7/8	53-7/8	35-1/2	58-3/4	22-1/4	24	13	3936 lbs.
	MM	57	2198 kN	632	1368	902	1492	565	610	330	1785 Kg
MC-736	Inches	2-1/2	524,000 lbs.	30	59-1/2	39	68-1/4	24-1/4	26	14-1/2	5100 lbs.
	MM	64	2331 kN	762	1511	991	1734	616	660	368	2313 Kg
MD-752	Inches	3	818,000 lbs.	44	102-5/8	60	98	41	39-1/2	26-1/2	15,400 lbs.
	MM	76	3639 kN	1118	2607	1524	2489	1041	1003	673	7484 Kg
MD-765	Inches	3	818,000 lbs.	55-1/2	115-5/8	60	117-1/2	41	39-1/2	26-1/2	17,700 lbs.
	MM	76	3639 kN	1410	2937	1524	2985	1041	1003	673	8029 Kg

We will custom engineer any of our products to suit YOUR requirements!

Standard Features

- ✓ Designed for breaking strength of wire with 90+ wrap on sheave and +/- 90+ rotation of swivelhead
- ✓ Sealed grease lubricated Timken tapered roller bearings
- ✓ Removable guide roller
- ✓ Hardened rope grooves for longer life
- ✓ Weld down mounting flange
- ✓ Smith Berger Quality

Optional Features

- ✓ Tail sheaves / tail rollers
- ✓ Bolt down mounting flange
- ✓ Load monitoring system
- ✓ Special sheaves for high performance synthetic ropes
- ✓ Paint to your specification
- ✓ Third party certification