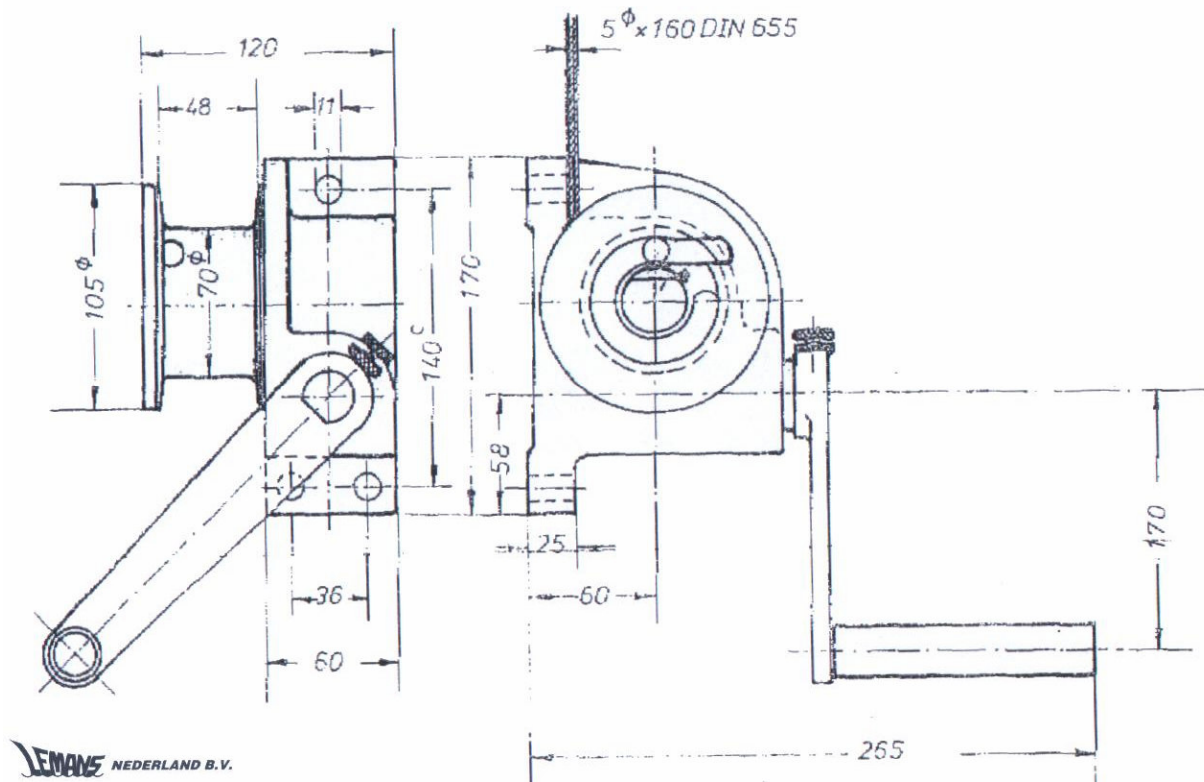


## 1.2. Worm wall winch



Model	: fig. 45
Load pull	: 300 kg. in the 1st layer - 250 kg. in the 2nd layer
Wire storage	: 4,2 mtr. - Ø5 mm
Stroke per swing	: 14 mm in the 1st layer
Swing pressure	: 14 daN (with full-load)
Weight without wire	: 5,2 kg.
Execution	: ✓ Maintenance-free ✓ Hand swing is adjustable, and has a clappable grip