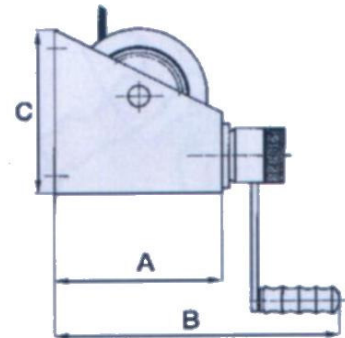
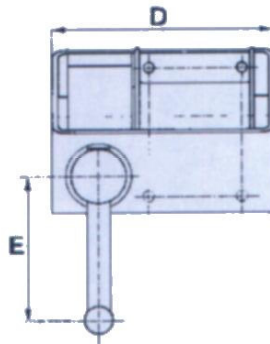
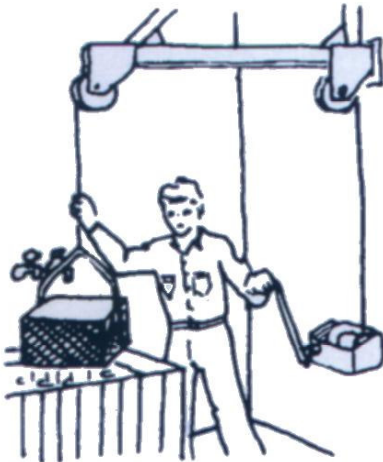


1.3. Worm wall winches



Model: Manibox VS

Load pull in the 1st layer	Load pull in the 3rd layer	Wire storage in the 1st layer	total wire storage	Wire release per swing in the slow speed	Wire release per swing in the fast speed	Experienced swing pressure	Wire diameter, according to DIN 3060/3066	Weight without wire
365 kg	250 kg	4	20,0 m	-	- mm	11 kg	5,0 mm	9,5 kg
765 kg	500 kg	4	25,0 m	-	- mm	12 kg	6,8 mm	15,0 kg
1490 kg	1000 kg	4	35,0 m	-	- mm	14 kg	9,0 mm	38,0 kg
2110 kg	1500 kg	3	20,0 m	-	- mm	12 kg	11,5 mm	41,5 kg
2725 kg	2000 kg	3	30,0 m	-	- mm	15 kg	13,0 mm	70,0 kg
3980 kg	3000 kg	3	40,0 m	-	- mm	12 kg	15,8 mm	150,0 kg



capacities	A	B	C	D	E	For lifting and pulling
250	150	330	150	200	240	(a) High reliability of worm-gear drives and automatic brakes
500	180	360	180	260	240	(b) The extremely rigid tubular frame is given a coat of highly resistant paint
1000	300	490	300	300	340	(c) Mechanical parts protected with electrophori deposition
1500	300	490	300	300	340	(d) The crank is adjustable, the crank handle is plastic-coated, captive adjusting knob
2000	345	540	345	405	340	(e) Mechanism protected with a steel sheet
3000	525	700	460	510	340	(f) Releasable drum (except on the 250 kg). a safety device prevents disengagement of the drum when loaded.

Measurements (in mm): restricted from alternations



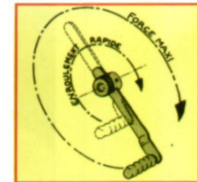
(a)



(f)



(d)



(d)