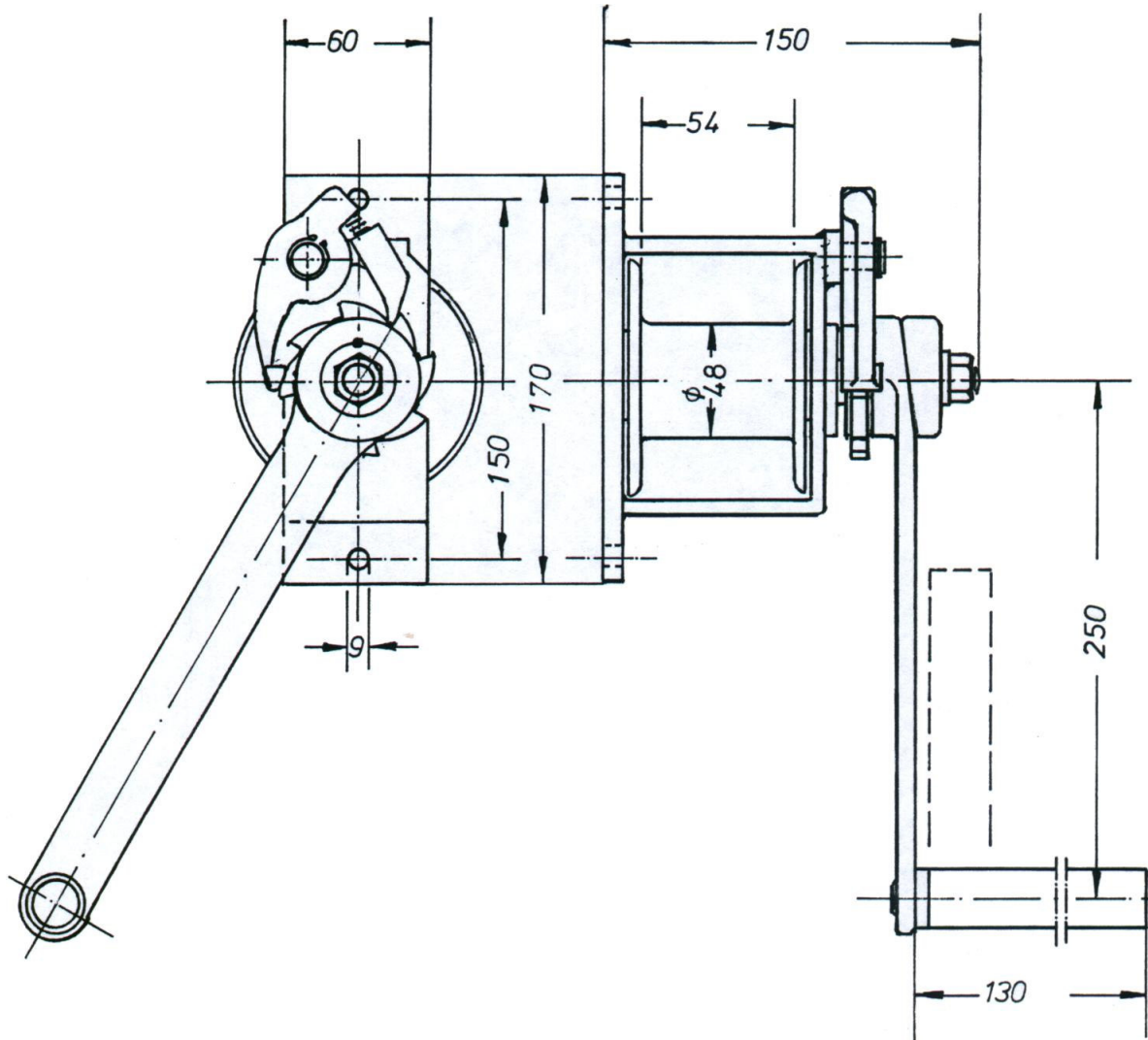


2.1. WALL WINCHES



Model	: fig. 47
Load pull	: 125 kg.
Wire storage	: 18 mtr. - $\phi 3$ mm.
Stroke per swing	: 165 mm
Swing pressure	: 13 daN
Weight without wire	: 4 kg.
Execution	: <input checked="" type="checkbox"/> Maintenance-free
	<input checked="" type="checkbox"/> With load-pressure brake
	<input checked="" type="checkbox"/> Hand swing is adjustable, and has a clapable grip