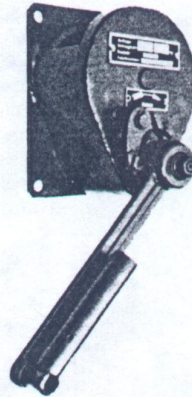
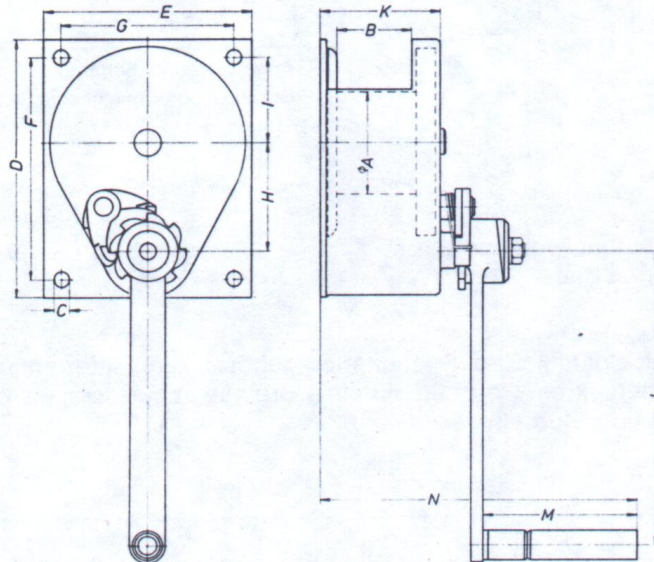


2.2. Stern-wheel wall-winch



Model : fig 50

	Load pull	Wire storage in the 1st layer	Total wire storage	Stroke per swing	Swing pressure	Wire diameter, acc. to DIN 3060/3066	Weight without wire
	300 kg	2,5 m	12,0 m	81 mm	17 daN	6 mm	8,3 kg
	500 kg	2,7 m	16,5 m	58 mm	17 daN	6,5 mm	12,6 kg



capacities	dimensions (in mm):													
	A	B	C	D	E	F	G	H	I	K	L	M	N	
300	88	63	13	220	175	190	145	93	73	100	250	130	270	
500	108	56	15	255	225	215	185	113	92	100	300	130	270	

The winches maybe altered, wire rope is a accessory