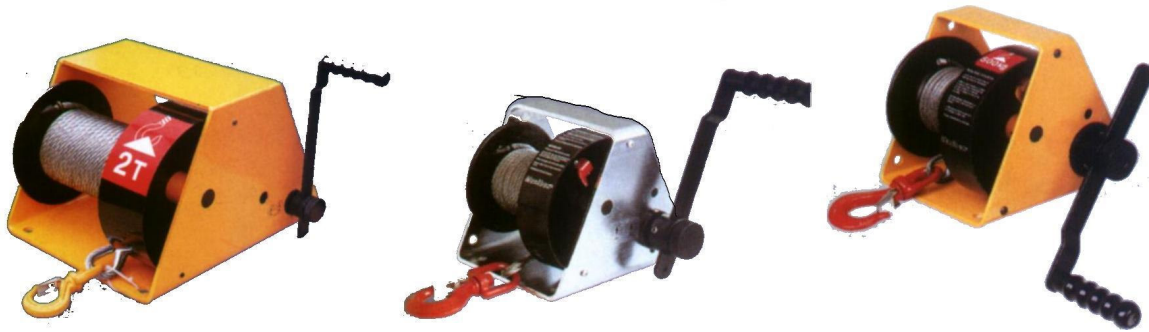
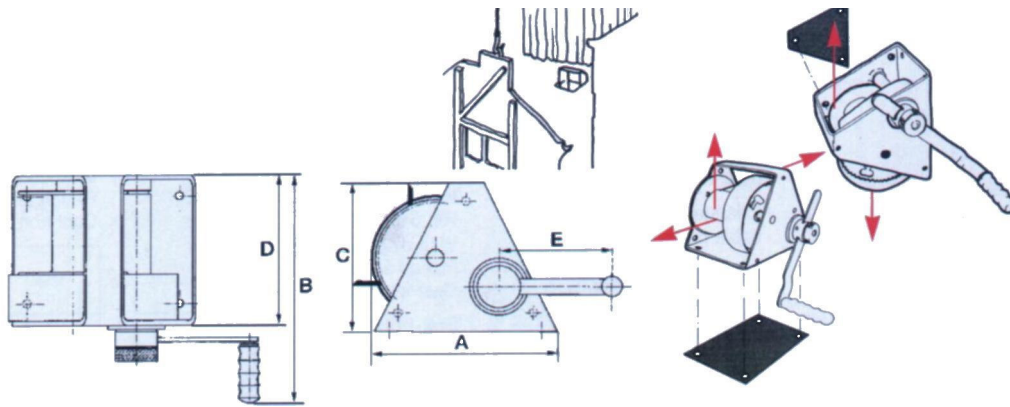


## 2.5. WALL WINCH MANIBOX GR



Load pull in the 1st layer	Load pull in the 3rd layer	Wire storage in the 1st layer	total wire storage	Wire release per swing	Experience d swing pressure	Wire diameter	Weight without wire
250 kg	150 kg	6	22 m	185 mm	15 kg	4.0 mm	6.5 kg
485 kg	300 kg	6	40 m	32.5 mm	10 kg	5.0 mm	15.5 kg
745 kg	500 kg	4	20 m	33 mm	13 kg	6.8 mm	16.0 kg
1490 kg	1000 kg	4	35 m	16 mm	12 kg	9.0 mm	44.5 kg
2725 kg	2000 kg	3	30 m	9 mm	13 kg	13.0 mm	80.0 kg



capacities	A	B	C	D	E	For lifting and pulling
150 kg	180	325	150	150	340	(a) High reliability of worm-gear drives and automatic brakes
300 kg	240	385	200	200	240	(b) The extremely rigid tubular frame is given a coat of highly resistant paint
500 kg	240	385	200	200	240	(c) Mechanical parts protected with electrophori deposition
1000 kg	412	485	300	300	340	(d) The crank is adjustable, the crank handle is plastic-coated, captive adjusting knob
2000 kg	500	585	325	405	340	(e) Mechanism protected with a steel sheet
						(f) Releasable drum (except on the 250 kg). a safety device prevents disengagement of the drum when loaded.

