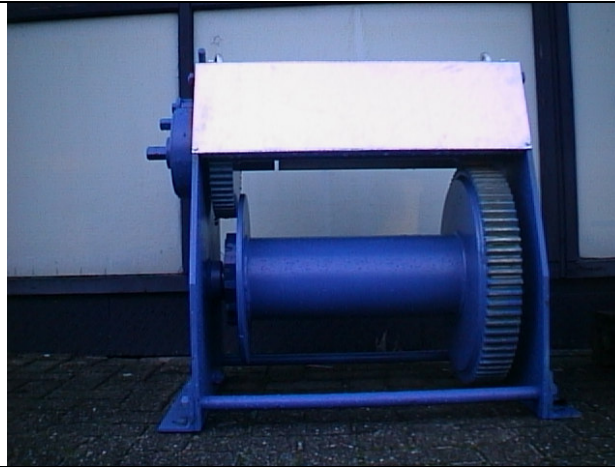
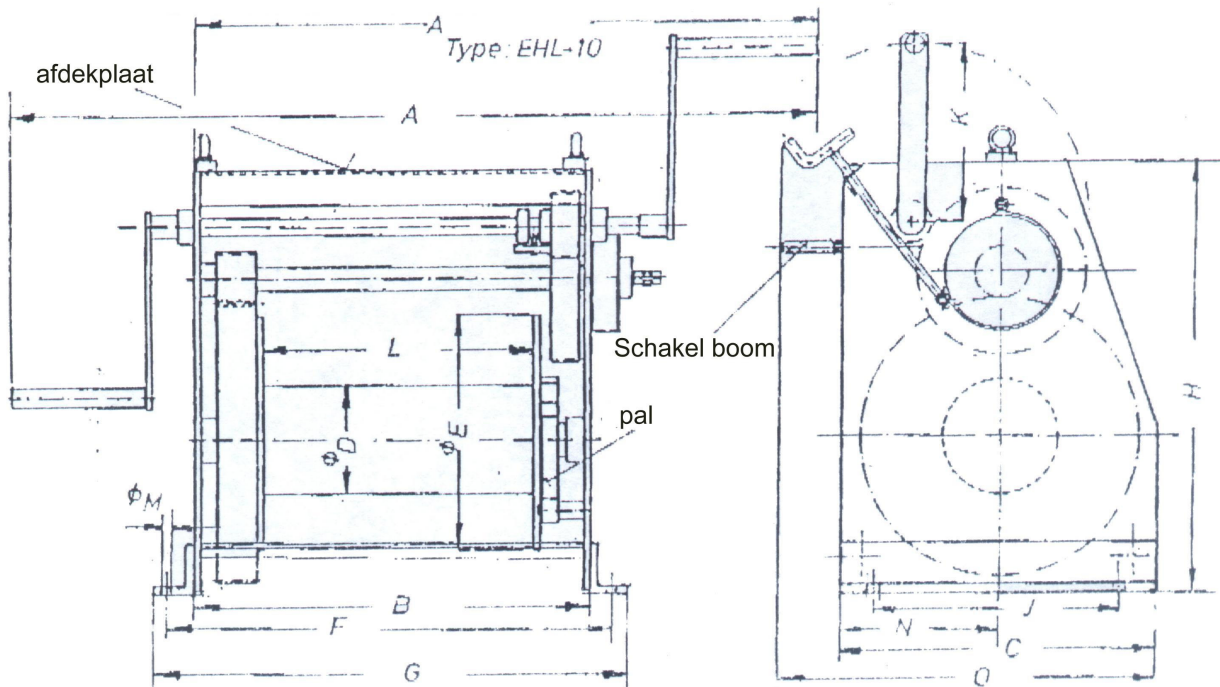


## 6.1. Manual mooring winch



Model: EHL

| Load pull in the 1st layer at slow speed | Load pull in the 6th layer at slow speed | Load pull in the 1st layer at quick speed | Load pull in the 6th layer at quick speed | Wire storage | Stroke per swing in the slow speed | Stroke per swing in the quick speed | Crank pressure | Wire rope diameter, according to DIN 20602/20606 | Weight without wire |
|--|--|---|---|--------------|------------------------------------|-------------------------------------|----------------|--|---------------------|
| 10 kN                                    | 6 kN                                     | 2.8 kN                                    | 1.8 kN                                    | 125 m        | 32 mm                              | 114 mm                              | 16 daN         | 12 mm  | 160 kg              |
| 20 kN                                    | 13 kN                                    | 4.8 kN                                    | 3.2 kN                                    | 160 m        | 32 mm                              | 135 mm                              | 16 daN         | 13 mm  | 300 kg              |
| 30 kN                                    | 18 kN                                    | 5.5 kN                                    | 3.4 kN                                    | 130 m        | 25 mm                              | 135 mm                              | 18 daN         | 16 mm  | 350 kg              |



| Type   | A    | B   | C   | D   | E   | F   | G   | H   | J   | K   | L   | M  | N   | O   |
|--------|------|-----|-----|-----|-----|-----|-----|-----|-----|-----|-----|----|-----|-----|
| EHL-10 | 1000 | 620 | 460 | 181 | 325 | 670 | 740 | 665 | 380 | 350 | 465 | 21 | -   | -   |
| EHL-20 | 1460 | 730 | 575 | 200 | 430 | 810 | 870 | 775 | 475 | 350 | 495 | 26 | -   | 760 |
| EHL-30 | 1490 | 770 | 575 | 200 | 430 | 810 | 870 | 875 | 475 | 350 | 450 | 26 | 278 | 865 |

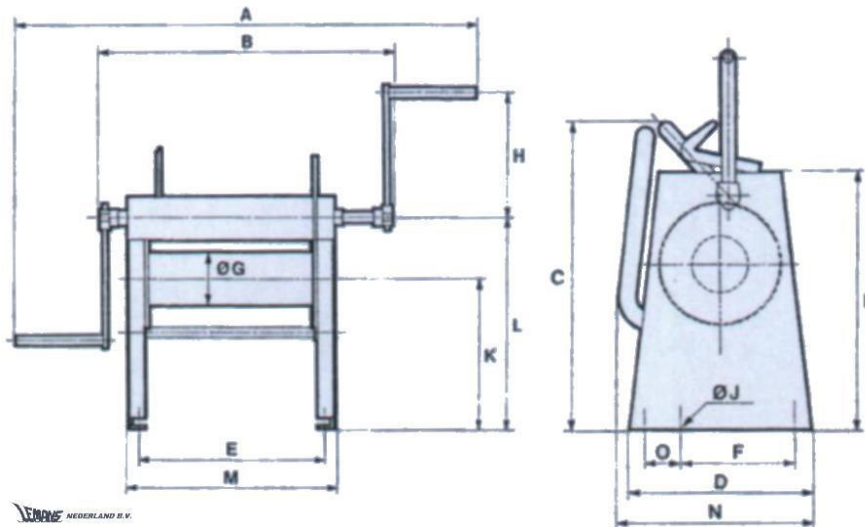
dimensions in mm; Alternations may occur, without rigging

## 6.2. Manual mooring winch



Ref: 659

| Pull force | Speeds | Useful wire storage | Maximum wire-storage | Stroke per swing in the slow speed | Stroke per swing in the slow speed | Swing pressure | Steel-wire diameter, | Net weight without wire |
|------------|--------|---------------------|----------------------|------------------------------------|------------------------------------|----------------|----------------------|-------------------------|
| 600 kg.    | 1      | 103 m               | 170 m                | 88.5 mm                            | -                                  |                | 8.0 mm               | 70 kg.                  |
| 1.500 kg.  | 2      | 38 m                | 88 m                 | 54 mm                              | 90 mm                              |                | 11.5 mm              | 85 kg.                  |
| 2.000 kg.  | 2      | 97 m                | 165 m                | 31 mm                              | 78 mm                              |                | 13.0 mm              | 110 kg.                 |
| 3.000 kg.  | 2      | 47 m                | 110 m                | 39 mm                              | 88 mm                              |                | 15.8 mm              | 170 kg.                 |
| 5.000 kg.  | 2      | 206 m               | 321 m                | 20 mm                              | 44 mm                              |                | 18.0 mm              | 1360 kg.                |
| 7.500 kg.  | 2      | 211 m               | 350 m                | 18 mm                              | 40 mm                              |                | 22.0 mm              | 550 kg.                 |
| 10.000 kg. | 2      | 322 m               | 499 m                | 14 mm                              | 40 mm                              |                | 26.0 mm              | 1100 kg.                |



| CAPACITY   | A    | B    | C    | D    | E    | F   | G    | H   | I     | K   | L   | M    | N   | O   | P    |
|------------|------|------|------|------|------|-----|------|-----|-------|-----|-----|------|-----|-----|------|
| 600 kg.    | 1235 | 715  | 770  | 460  | 460  | 310 | Ø133 | 360 | Ø15   | 460 | 605 | 515  | 440 | 50  | 645  |
| 1.500 kg.  | 1322 | 802  | 870  | 480  | 524  | 330 | Ø133 | 360 | Ø20.5 | 490 | 680 | 580  | 500 | 50  | 705  |
| 2.000 kg.  | 1415 | 895  | 890  | 500  | 580  | 320 | Ø159 | 360 | Ø20.5 | 470 | 660 | 645  | 520 | 100 | 720  |
| 3.000 kg.  | 1800 | 995  | 1030 | 600  | 677  | 380 | Ø168 | 480 | Ø22   | 477 | 707 | 745  | 610 | 100 | 780  |
| 5.000 kg.  | 2260 | 1200 | 1000 | 680  | 798  | 400 | Ø245 | 406 | Ø24   | 335 | 775 | 880  | -   | 140 | 850  |
| 7.500 kg.  | 2455 | 1370 | 1090 | 815  | 990  | 540 | Ø324 | 406 | Ø28   | 350 | 900 | 1080 | -   | 140 | 960  |
| 10.000 kg. | 2920 | 1845 | -    | 1210 | 1565 | 600 | Ø355 | 406 | Ø20.5 | 430 | 882 | 1665 | -   | 250 | 1000 |

dimensions in mm: restricted from alternations, winches are normally supplied without wire rope

### For mooring and pulling

- Plate-steel drum en frame
- Open spur transmission from high tensile steel
- Drum and drive-shafts on self-lubricating or bronze bearings
- Ratchet and bandbrake with lever behind the crank, in order to control lowering of the load which must be by retention with operators working the crank handles. The crank handles are adjustable for length (up to 3 tons)
- Change of speed and disengagement of drum to ensure no-load cable paying-out by movement of crankshaft.
- Standard straight crank handle. Hand-wheel on option (see photo)