

2.1. ELECTRIC PLANETARY WINCH

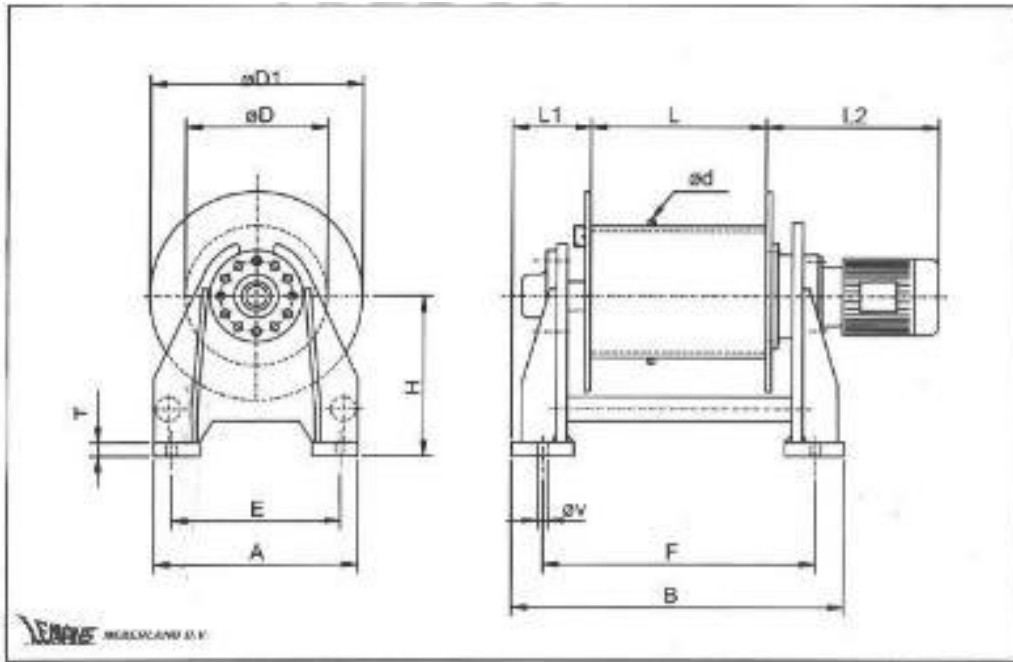
TYPE LM-EP

Technical data:

TYPE LM-EP	HOIST	SPEED	OUTPUT (3X 400V 50HZ)	WIRE- DIAMETE R	WIRE STORAG E 1ST LAYER	WIRE STORAG E FULL DRUM	WEIGHT
1500	1,500 kg	10 m/min	3 kW S1	ø12 mm	27 m	159 m	350 kg
3000	3,000 kg	8 m/min	6 kW S1	ø16 mm	27 m	165 m	500 kg
5000	5,000 kg	8 m/min	8 kW S1	ø18 mm	34 m	199 m	650 kg
6000	6,000 kg	8 m/min	11 kW S1	ø22 mm	28 m	170 m	750 kg
10.000	10,000 kg	6 m/min	11 kW S1	ø26 mm	33 m	196 m	1,150 kg

(Different and larger tensile forces at request.)

Measurements LM-EP:



TYPE LM-EP	A	B	ØD	ØD	ØD1	E	F	H	L	L1	L2
1.500	600	725		270	500	530	655	380	400	193	
3.000	600	790		325	550	500	690	420	450	193	
5.000	800	896		405	730	700	530	500	500	210	
6.000	800	864		405	730	700	530	500	500	210	
10.000	900	960		508	800	800	600	550	550	210	

(All dimensions in mm.)
L2 is dependent of motor size.

2.2. HYDRAULIC PLANETARY WINCHES

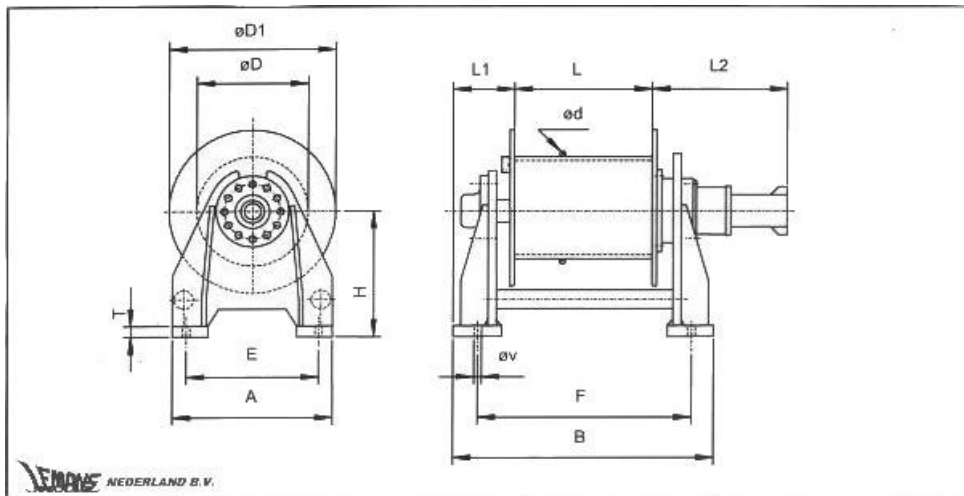
TYPE LM-HP

Technical data:

TYPE LM-HP	HOIST	SPEED (M/MIN)	OUTPUT $\Delta P + Q$	WIRE-DIAMETE R	WIRE STORAGE E 1ST LAYER	WIRE STORAGE E FULL DRUM	WEIGHT
1500	1,500 kg			ø12 mm	27 m	159 m	450 kg
2500	2,500 kg			ø14 mm	23 m	141 m	550 kg
3500	3,500 kg			ø16 mm	27 m	165 m	680 kg
4500	4,500 kg	AT	AT	ø18 mm	25 m	199 m	780 kg
6000	6,000 kg			ø22 mm	34 m	170 m	850 kg
8000	8,000 kg	REQUEST	REQUEST	ø26 mm	28 m	196 m	950 kg
12500	12,500 kg			ø28 mm	30 m	220 m	1,100 kg
15000	15,000 kg			ø30 mm	AT	AT	AT
20000	20,000 kg			ø34 mm			
30000	30,000 kg			ø36 mm	REQUEST	REQUEST	REQUEST

(Different and larger tensile forces at request.)

Measurements LM-HP:



TYPE LM-HP	A	B	$\varnothing D$	$\varnothing D$	$\varnothing D1$	E	F	H	L	L1	L2
1.500	600	725	-	270	500	530	655	380	400	193	-
2.500	600	733	-	270	500	530	663	380	400	193	-
3.500	800	790	-	325	550	500	690	420	450	193	-
4.500	800	896	-	405	730	700	796	530	500	210	-
6.000	800	864	-	405	730	700	764	530	500	210	-
8.000	900	960	-	508	800	800	860	600	550	210	-
12.500	900	1.130	-	559	850	800	1.030	625	600	250	-
15.000	900	-	-	508	850	800	-	625	625	250	-
20.000	1.000	-	-	610	950	880	-	650	650	300	-
30.000	1.100	-	-	720	1.050	980	-	680	680	400	-

(All dimensions in mm.)

L2 is dependent of type planetary gear units and hydraulic motor.