

2.3. PLANETARY WINCHES

TYPE LM-HPBK/EPBK

Technical data:

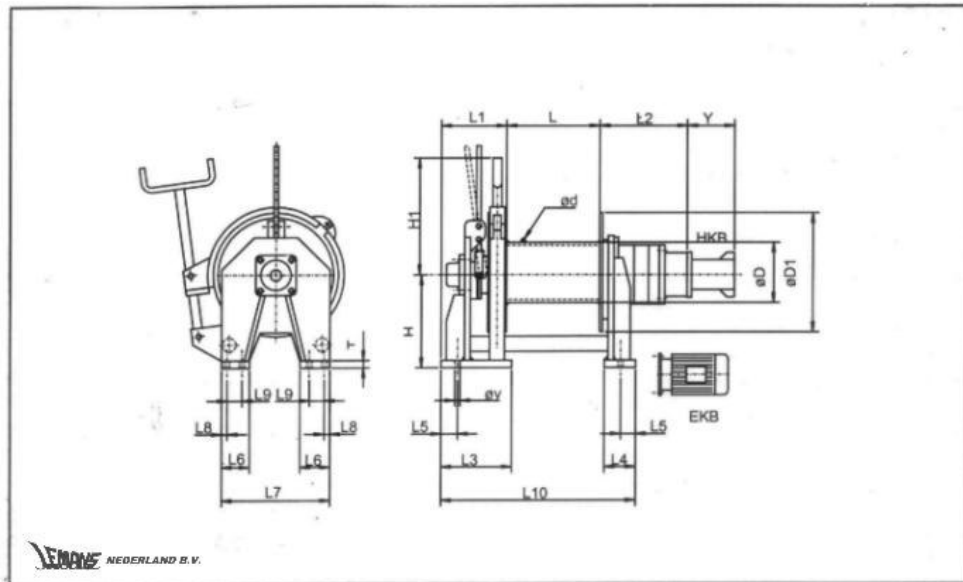
TYPE LM- HPBK/EPB K	TENSILE FORCE (1ST LAYER)	HOLDING FORCE (1ST LAYER)	WIRE- DIAMETER	WIRE STORAGE	SPEED
5.000	5,000 kg	10,000 kg	ø16 mm	180 m	10 m/min
10.000	10,000 kg	15,000 kg	ø20 mm	200 m	10 m/min
15.000	15,000 kg	20,000 kg	ø24 mm	220 m	10 m/min
25.000	25,000 kg	30,000 kg	ø28 mm	225 m	8 m/min
40.000	40,000 kg	50,000 kg	ø38 mm	200 m	6 m/min

(Different and larger tensile/holding forces at request.)

With dog-clutch and bandbrake.

Main shaft CrMo with two double-rowed tapered roller bearing.

DIMENSIONS LM-HPBK/EPBK:



TYPE LM- HPBK/EPBK	ØD	ØD	ØD1	H	L	L1	L2+Y (CA.)	L3	L4	L5	L6	L7	L8	L9	L10	T	ØV
5.000	16	270	600	350	500	320	700	250	100	37	125	600	30	30	At	25	25
10.000	20	360	700	400	550	400	800	250	140	50	140	700	30	30	request	30	25
15.000	24	460	880	500	600	450	850	300	140	50	200	900	30	30		30	25
25.000	28	510	950	510	700	480	900	400	140	70	200	1.000	30	30		35	25
40.000	28	610	1.050	700	800	480	900	550	140	-	-	-	-	-		40	25

(All dimensions in mm.; alternations may occur)

L2 + Y is dependent on type planetary gear unit, hydraulic motor, of electric motor.

On type 40.000 the bandbrake and clutch are situated on the side of the drive.