

2.4. PLANETARY COMPACT WINCHES

TYPE LM-HPC

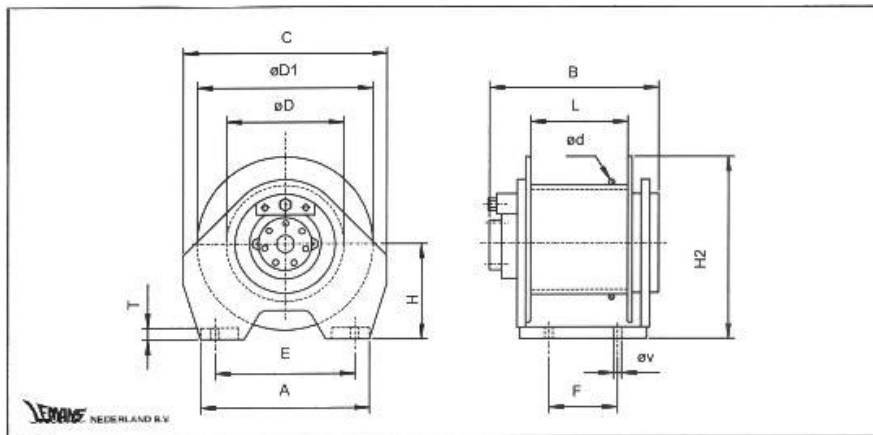
With planetary gear unit, disc brake and motor with brake wheel fully integrated in the drum.

Also available according to CE-regulations.

Technical data:

TYPE LM-HPC	HOIST 1E LAYER	HOIST 2E LAYER	MAX. HOIST-SPEED	NOM. OIL-STREAM Q	NOM. PRESSURE ΔP	SWEPT VOLUME MOTOR	MAX. WIRE DIAMETER	WIRE CAP. 4E LAYER	WEIGHT
400	480 kg	400 kg	50 m/min	30 l/min	120 bar	316 cm ³	6 mm	34 m	26 kg
600	750 kg	600 kg	40 m/min	40 l/min	120 bar	100 cm ³	7 mm	55 m	33 kg
1.150	1.500 kg	1.150 kg	55 m/min	60 l/min	170 bar	188 cm ³	10 mm	58 m	45 kg
1.950	2.500 kg	1.950 kg	33 m/min	75 l/min	182 bar	249 cm ³	12 mm	51 m	74 kg
2.350	3.000 kg	2.350 kg	67 m/min	150 l/min	140 bar	633 cm ³	14 mm	71 m	160 kg
3.200	4.000 kg	3.200 kg	40 m/min	100 l/min	175 bar	633 cm ³	16 mm	121 m	297 kg
4.750	5.700 kg	4.750 kg	50 m/min	125 l/min	240 bar	816 cm ³	18 mm	162 m	435 kg
6.250	8.000 kg	6.250 kg	40 m/min	100 l/min	320 bar	816 cm ³	20 mm	120 m	410 kg
11.000	13.000 kg	11.000 kg (4e layer)	32 m/min	150 l/min	280 bar	1,633 cm ³	22 mm	180 m	750 kg

Measurements LM-HPC:



TYPE LM-HPC	A	B	C	ØD	ØD	ØD1	E	F	H	H2	L
400	-	223	115	6	146	220	120	40	115	230	100
600	222	273	272	7	178	260	180	150	140	290	161
1.150	240	304	296	10	203	305	200	170	160	335	192
1.950	355	325	428	12	245	380	305	150	192	380	172
2.350	380	377	500	14	299	447	320	200	226	447	230
3.200	480	556	568	16	356	523	400	330	267	528	364
4.750	550	710	658	18	407	598	470	480	304	603	510
6.250	570	597	708	20	406,4	625	490	360	318	630	400
11.000	590	820	750	22	445	670	510	520	345	680	600

(All dimensions in mm.; alternations may occur) / Type 400 equipped with a self-supported drum.