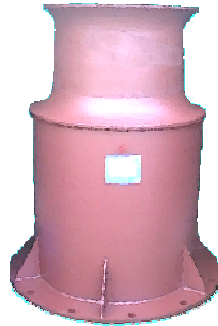
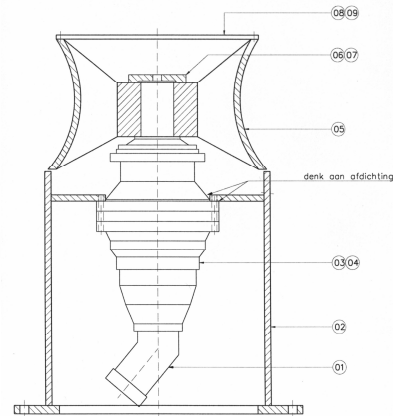
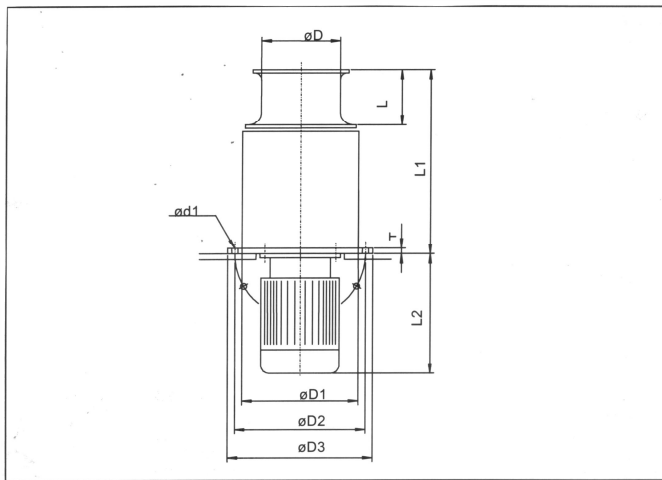


3.2. PLANETARY CAPSTANS



Type LK-HP/EP	Tensile force	Speed	Neck-Diameter	Electric Output (3x 400V – 50 Hz.)	Hydraulic Output
1000	1.000 kg	10 mtr/min	ø200 mm	2,2 kW S2	
2000	2.000 kg	10 mtr/min	ø200 mm	5 kW S2	(Δ p + Q)
3000	3.000 kg	10 mtr/min	ø250 mm	5,5 kW S2	At request
4000	4.000 kg	8 mtr/min	ø315 mm	6 kW S2	
5000	5.000 kg	8 mtr/min	ø370 mm	7,5 kW S2	
6000	6.000 kg	8 mtr/min	ø370 mm	9 kW S2	
8000	8.000 kg	8 mtr/min	ø450 mm	12 kW S2	
10.000	10.000 kg	6 mtr/min	ø450 mm	12 kW S2	



Type LK EP	ØD	øD1	øD2	ØD3	L	L1	ød1
1000	200	406	456	506	220	825	ø16 x 12
2000	200	406	456	506	220	825	ø16 x 12
3000	250	406	456	506	246	851	ø22 x 12
4000	315	559	650	700	260	865	ø22 x 12
5000	370	559	650	700	300	905	ø22 x 12
6000	370	559	650	700	300	905	ø22 x 12
8000	450	660	780	840	375	980	ø25 x 12
10.000	450	660	780	840	375	980	ø25 x 12

(All dimensions in mm; alternations may occur)